



*“Home of Innovative & Quality
Solutions for Construction
since 1984”*

BUILDING SOLUTIONS



BALLUSTER



LINTEL



**BIRD
SPIKE**

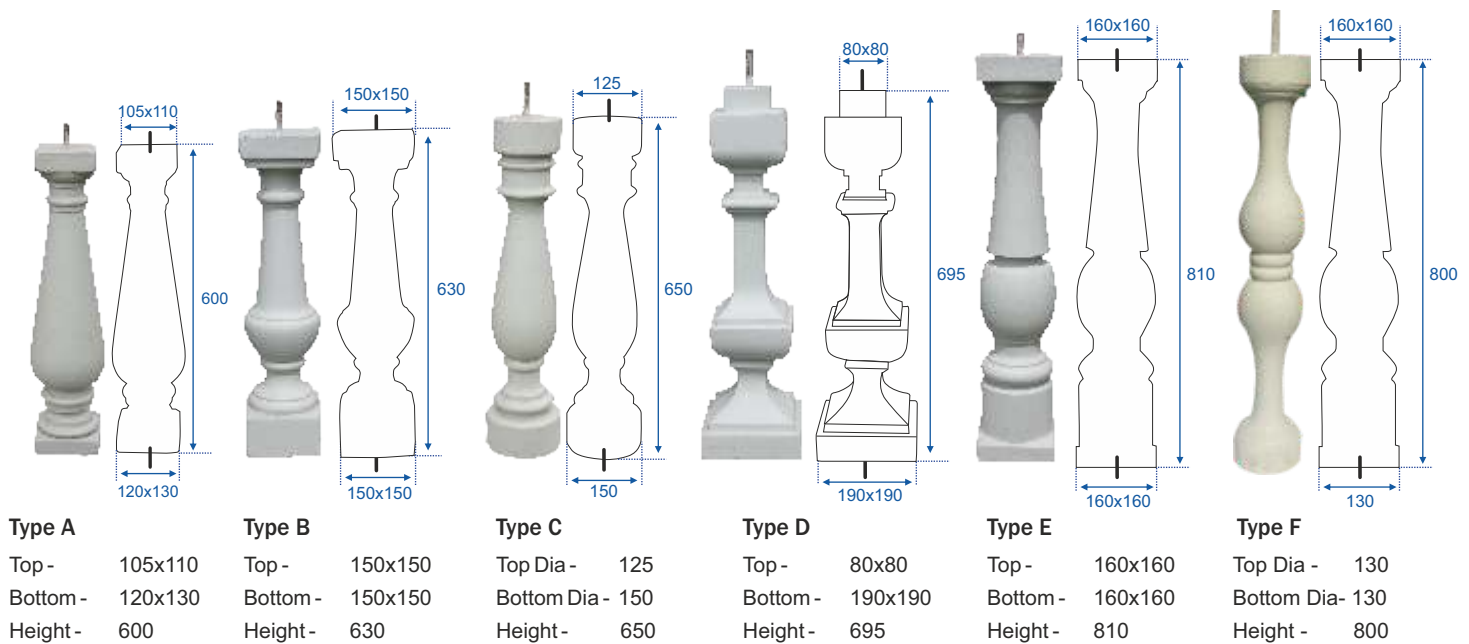


LETTERBOX



BALLUSTER

A key architectural feature on many apartments and buildings, ballusters add to the character of the building.



Ballusters can also be provided with optional top and bottom rails



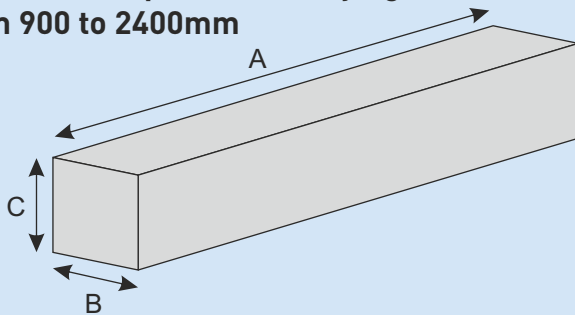


LINTEL BEAMS

We provide lintel beams for doors and windows of varying sizes. These lintel beams have been properly load tested for the span.

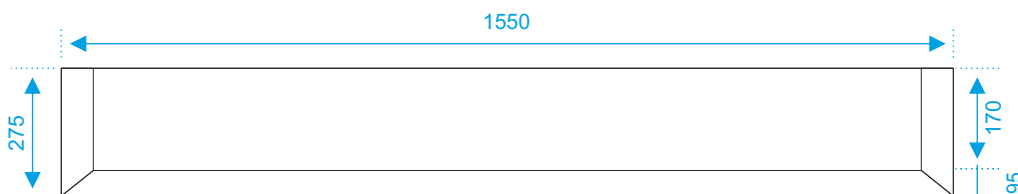
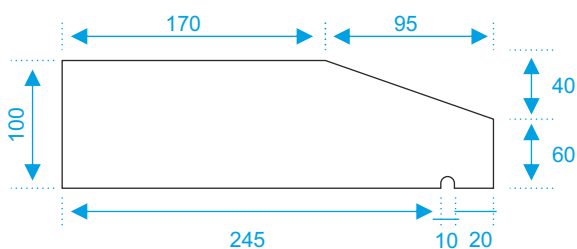


As per site requirement varying from 900 to 2400mm



Product Code	A	B	C
LINT - A	1200	112.5/100	150
LINT - B	1400	112.5/100	150
LINT - C	1600	112.5/100	150
LINT - D	1800	112.5/100	150
LINT - E	2000	112.5/100	150
LINT - F	2400	112.5/100	150

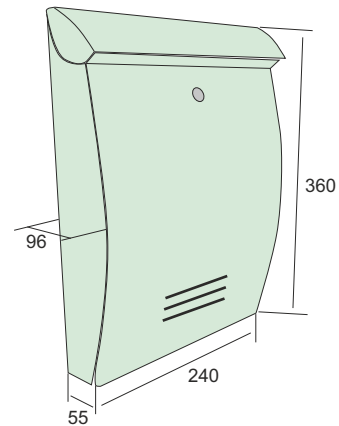
WINDOW SILL



Use of standardized lintel beams and window sills accelerates the construction process thus reducing project cost.



LETTER BOX



Letter Box Dimensions

OVERVIEW

KK letter box is a unique, attractively designed, and a lockable letter box which will make receiving mail pleasant and hassle-free. The letter box comes with a top flap which will protect the mail from rain & dust. Moreover, the mail can be easily retrieved by opening the front flap.

TECHNICAL INFORMATION

- Made from virgin poly propylene plastic using injection moulding
- Provided with a lock
- Installation hardware is included
- Size : Height - 360 mm; Width - 240mm; Bottom Thickness - 55mm; Middle Thickness - 96mm



**INDIA'S LARGEST
SELLING LETTER BOX
WITH MORE THAN
17000 LETTER BOXES
SOLD**



BIRD SPIKE

PRODUCT OPTIONS

Polycarbonate Bird Spike



Stainless Steel Bird Spike

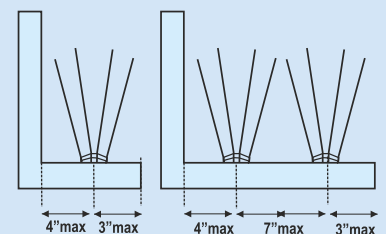


TECHNICAL INFORMATION

- Overall dimensions : 13" long, 6" wide, 5" high & covers upto 7" surface width.
 - Material : Polycarbonate
 - Each spike consists of 20 flat tipped points.
 - Provided with 1" wide 3m double side tape for easy & lasting installation.
- Overall dimensions : 13" long, 6" wide, 5" high & covers upto 7" surface width.
 - Material : SS - 304
 - Each spike consists of 20 flat tipped points.
 - Provided with 1" wide 3m double side tape for easy & lasting installation.

INSTALLATION

- Clean the surface on which the spikes have to be installed thoroughly. There should not be any loose material.
- Mark the area where the spikes will be installed. Keep the gap between two adjacent rows to a maximum of 7 inches.
- Peel off the (Plastic) backing sheet from the bottom of the spike and push down firmly over the area marked in step 2. Make sure that you overhang the first strip about 1/2 inch at the end of the surface.
- Install the next strip flush with the first strip. Use the alignment notch at the end of the strips for proper alignment. Do not leave gaps between the strip. Use the quick part seam to make adjustments to the length
- Allow the spikes undisturbed for about an hour for initial settlement.





BUILDING SOLUTIONS

